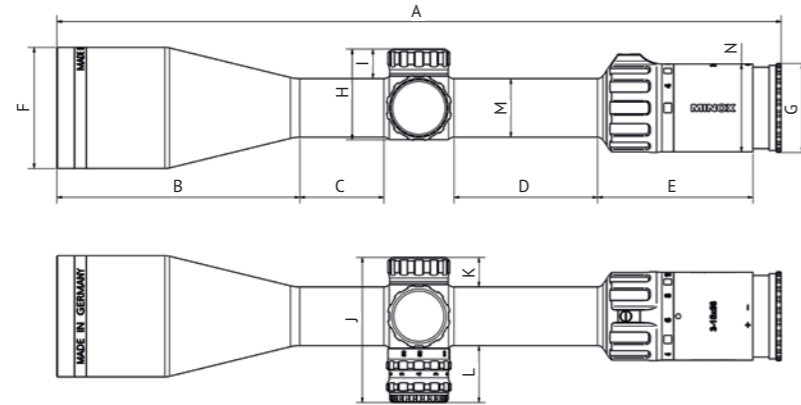


TECHNICAL DATA

MODEL	1-5x24 / 1-5x24 S	2-10x50 / 2-10x50 S	3-15x56 / 3-15x56 S
Magnification	1-5x	2-10x	3-15x
Objective diameter mm	24	50	56
Diameter exit pupil mm	11.4 / 4.8	11.4 / 5.0	11.4 / 3.7
Field of view at 100 m	37.1 / 8.2	18.9 / 4.0	11.9 / 2.3
Eye relief mm	~100	~100	~100
Diopter adjustment	- 3.0 / + 2.5	- 3 / + 2.5	- 3 / + 2.5
Elevation and windage adjustment (per click at 100 m)	1 cm	1 cm	1 cm
Reticle adjustment range (elevation & windage) cm	± 100	± 100	± 55
Parallax compensation m	100	100	50 m to ∞
Illuminated reticle	Yes	Yes	Yes
Focal plane	2nd	2nd	2nd
Power source for illuminated reticle	2 x CR 2032	2 x CR 2032	2 x CR 2032
Argon gas purged	Yes	Yes	Yes
Non-fogging, waterproof	Yes	Yes	Yes
Tube diameter mm	30	30	30
Length mm	285	335	372
Weight g	480 / 520*	650 / 690*	760 / 800*
Order no.	80107662 / 80107666*	80107663 / 80107667*	80107664 / 80107672*

* Model with Z-Rail

DIMENSIONS

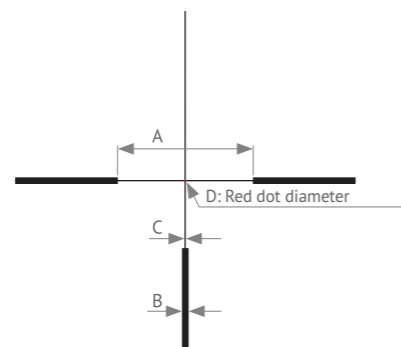


A	284	334	371
B	89.7	95	124.5
C	-	44.6	43.1
D	64.4	64.4	73.6
E	79.6	79.6	79.6
F	-	57.0	62.0
G	45.8	45.8	45.8
H	46.4	46.4	46.4
I	15.2	15.2	15.2
J	63.6	63.6	74.3
K	15.2	15.2	15.2
L	18.5	18.5	29.2
M	30.0	30.0	30.0
N	45.0	45.0	45.0

RETICLE SUBTENSIONS

German #4	1-5x24	2-10x50	3-15x56
A	200	100	66.6
B	10	5	3.3
C	2	1	0.7
D	2	1	0.7

All measurements in cm at 100 m at maximum magnification



MINOX Riflescopes 03 / 2020 - Product design, technology, scope of delivery and prices are subject to change. © 2020 MINOX GmbH · www.minox.com · BLÄSER | BRANDMARK

MINOX

PRODUCT INFORMATION

RIFLESCOPES

1-5x24 | 2-10x50 | 3-15x56



BECAUSE PRECISION IS WHAT IT'S ALL ABOUT!

MADE
IN GERMANY

BRIGHT AND FAST ON TARGET - BY DAY AND BY NIGHT.

Owing to state-of-the-art optical coatings, the MINOX riflescope line provides you with an outstanding transmission of up to 94 %* - for a consistently bright image. Thanks to an enlarged eyepiece, the Fast Target Acquisition (FTA) greatly improves your eye relief to get you quickly and easily on target. The bright glass fiber reticle can be finely dimmed to adapt to your hunting situation whether during the day or at dusk. The extra low adjustment towers give you an optimal overview in every situation. And the illuminated reticle with a position sensor has an automatic switch-off function. What more do you want? Discover the MINOX riflescopes for the highest of demands!



1-5x24



2-10x50

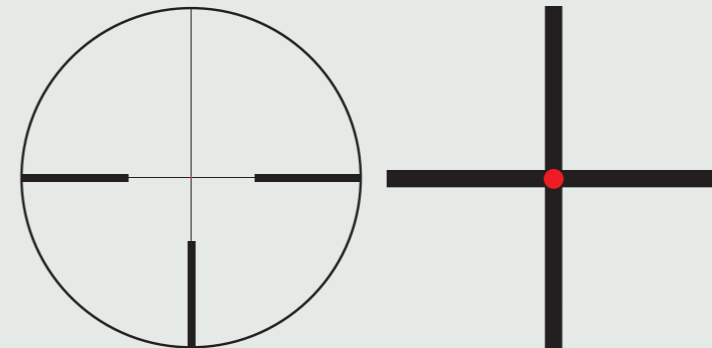


3-15x56

- 1 | Fast Target Acquisition (FTA)
- 2 | Extra low adjustment towers for a better handling
- 3 | Automatic deactivation of the red dot via position sensor ie. after 2 hours
- 4 | Glass Fiber Point – finely dimmable glass fiber reticle

GLASS FIBER RETICLE

The innovative glass fiber reticle in the second image plane impresses with a homogeneously luminous circular dot, which can be adjusted perfectly to any hunting situation during the day or at night.



OUTSTANDING TRANSMISSION

94%*

The maximum transmission of up to 94 %* guarantees an excellent performance in all lighting conditions. Whether in the early morning hours or the last light of the day, the brilliant image and excellent contrast will get you on target quickly and effortlessly.

* in conformance with spectral transmissions according to DIN ISO 14490-5

1:1 Image in original size

THE BEST PROTECTION FOR YOUR OPTICS



The Tenebraex caps are included in the delivery - for a reliable protection of the objective and ocular in every situation.

Tenebraex
A DIVISION OF ARMAMENT TECHNOLOGY INCORPORATED



All three models are also available with rails.